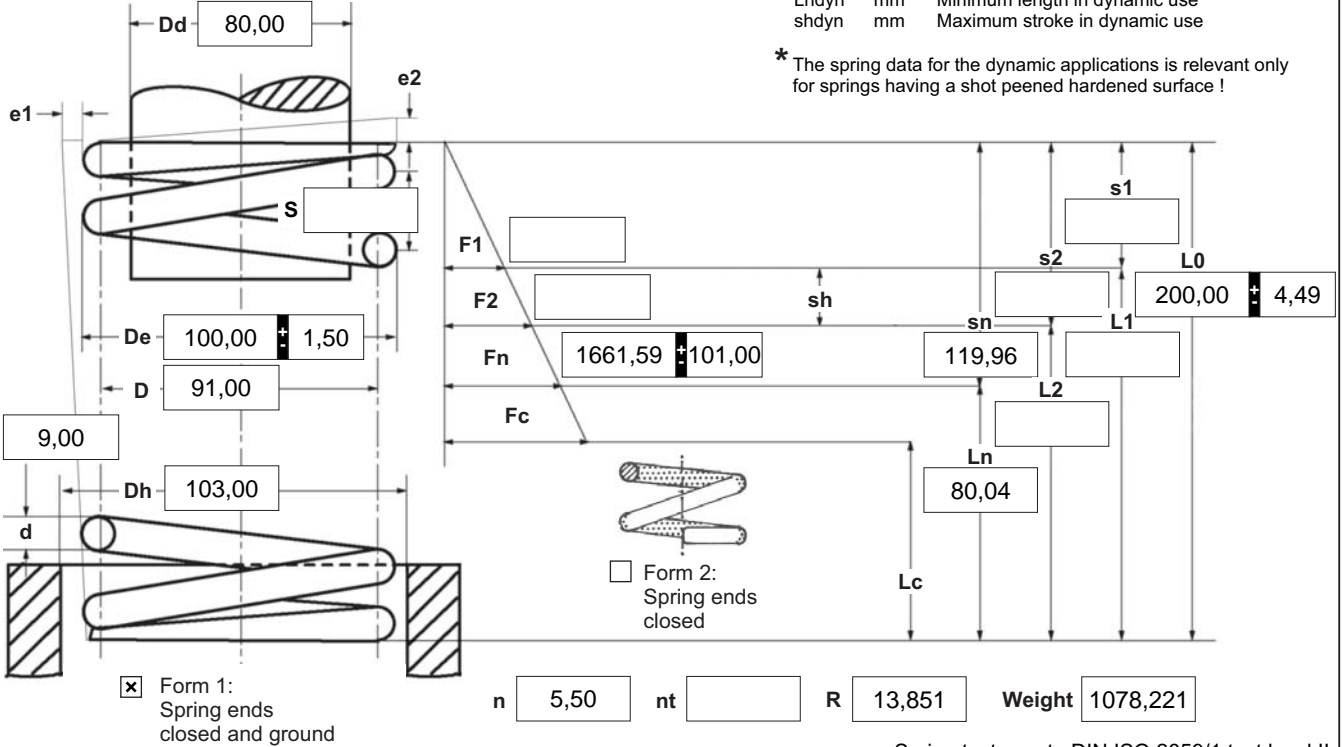


d mm	Wire diameter	Fn N	Maximum force in static use	nt	pc.	Total coils
D mm	Mean coil diameter	Fc N	Theoretic maximum force at Lc	R	N/mm	Spring rate
Dd mm	Diameter of mandrel	L0 mm	Length of unstressed spring	S	mm	Pitch (distance between coils)
De mm	Outer coil diameter	L1 mm	Prestressed spring length	s1	mm	Prestressed spring deflection
Dh mm	Diameter of bush	L2 mm	Loaded spring length	s2	mm	Loaded spring deflection
e1 mm	Perm.dev. perpendicular line	Lk mm	Buckling length	sh	mm	Maximum stroke in static use
e2 mm	Perm.dev. parallel line	Ln mm	Minimum length in static use	sn	mm	Maximum spring deflection in static use
F1 N	Prestressed spring force	Lc mm	Block length	Weight	g	Weight of one spring in grammes
F2 N	Loaded spring force	n pc.	Active coils	Fndyn	N	Maximum force in dynamic force
				Fndtol	N	(+/-) tolerance of maximum dynamic force
				Lndyn	mm	Minimum length in dynamic use
				shdyn	mm	Maximum stroke in dynamic use



Spring test acc. to DIN ISO 2859/1 test level II

<p><b>1 Coiling direction</b></p> <p><input type="checkbox"/> left <input checked="" type="checkbox"/> right</p>	<p><b>7 Guidance and seat to DIN EN 13906-1</b></p> <p><input type="checkbox"/> mandrel <input type="checkbox"/> bush</p> <p>Buckling length <b>Lk</b> at</p> <p>v=0,5 / Bild 5 <input type="text" value="0,00"/> mm</p>	<p><b>12 Tolerances to DIN EN 15800</b></p> <table border="1"> <thead> <tr> <th>Grade</th> <th>De,Di,D</th> <th>L0</th> <th>F1,F2</th> <th>e1,e2</th> <th>Wire diameter d to DIN 2076</th> </tr> </thead> <tbody> <tr> <td>1</td> <td><input type="checkbox"/></td> <td><input type="checkbox"/></td> <td><input type="checkbox"/></td> <td><input type="checkbox"/></td> <td><input type="checkbox"/></td> </tr> <tr> <td>2</td> <td><input checked="" type="checkbox"/></td> <td><input checked="" type="checkbox"/></td> <td><input checked="" type="checkbox"/></td> <td><input checked="" type="checkbox"/></td> <td><input checked="" type="checkbox"/></td> </tr> <tr> <td>3</td> <td><input type="checkbox"/></td> <td><input type="checkbox"/></td> <td><input type="checkbox"/></td> <td><input type="checkbox"/></td> <td><input checked="" type="checkbox"/></td> </tr> </tbody> </table>	Grade	De,Di,D	L0	F1,F2	e1,e2	Wire diameter d to DIN 2076	1	<input type="checkbox"/>	<input type="checkbox"/>	<input type="checkbox"/>	<input type="checkbox"/>	<input type="checkbox"/>	2	<input checked="" type="checkbox"/>	<input checked="" type="checkbox"/>	<input checked="" type="checkbox"/>	<input checked="" type="checkbox"/>	<input checked="" type="checkbox"/>	3	<input type="checkbox"/>	<input type="checkbox"/>	<input type="checkbox"/>	<input type="checkbox"/>	<input checked="" type="checkbox"/>
Grade	De,Di,D	L0	F1,F2	e1,e2	Wire diameter d to DIN 2076																					
1	<input type="checkbox"/>	<input type="checkbox"/>	<input type="checkbox"/>	<input type="checkbox"/>	<input type="checkbox"/>																					
2	<input checked="" type="checkbox"/>	<input checked="" type="checkbox"/>	<input checked="" type="checkbox"/>	<input checked="" type="checkbox"/>	<input checked="" type="checkbox"/>																					
3	<input type="checkbox"/>	<input type="checkbox"/>	<input type="checkbox"/>	<input type="checkbox"/>	<input checked="" type="checkbox"/>																					
<p><b>2 Dynamic load *</b></p> <p>Fndyn <input type="text" value="1574,76"/></p> <p>Fndtol <input type="text" value="99,80"/></p> <p>Lndyn <input type="text" value="86,31"/></p> <p>shdyn <input type="text" value="25,69"/></p>	<p><b>8 Material</b></p> <p><input type="text" value="EN 10270-3-1.4310"/></p>	<p><b>13 Prouction compensation through</b></p> <p>A spring resistance and associated length of tensed spring L0 <input type="checkbox"/></p> <p>A spring resistance, associated length of tensed spring and L0 n, d <input checked="" type="checkbox"/> n, De, Di <input type="checkbox"/></p> <p>Two spring resistances and associated lengths of tensed spring L0, n, d <input type="checkbox"/> L0,n,De,Di <input type="checkbox"/></p>																								
<p><b>3 Excursion sh</b> <input type="text"/></p>	<p><b>9 Wire or rod surface</b></p> <p><input checked="" type="checkbox"/> drawn <input type="checkbox"/> rolled <input type="checkbox"/> metal-cut</p>	<p><b>14 Setting springs</b></p> <p>All springs which show setting tendency because of their size are pre-set within the production process.</p>																								
<p><b>4 Stress cyc. end. N</b> <input type="text"/></p>	<p><b>10 Springs deburred</b> <input type="checkbox"/> inside <input type="checkbox"/> outside</p>	<p><b>Prices</b></p> <table border="1"> <thead> <tr> <th>Mennyiségi lépcsők</th> <th>Egységár (EUR)</th> </tr> </thead> <tbody> <tr><td>1</td><td>16,3800 €</td></tr> <tr><td>2</td><td>13,0500 €</td></tr> <tr><td>3</td><td>9,0700 €</td></tr> <tr><td>7</td><td>7,2200 €</td></tr> <tr><td>17</td><td>5,7200 €</td></tr> <tr><td>37</td><td>4,9500 €</td></tr> <tr><td>75</td><td>4,9100 €</td></tr> <tr><td>125</td><td>4,9440 €</td></tr> <tr><td>175</td><td>4,8928 €</td></tr> <tr><td>250</td><td>4,7033 €</td></tr> <tr><td>350</td><td>4,5611 €</td></tr> </tbody> </table>	Mennyiségi lépcsők	Egységár (EUR)	1	16,3800 €	2	13,0500 €	3	9,0700 €	7	7,2200 €	17	5,7200 €	37	4,9500 €	75	4,9100 €	125	4,9440 €	175	4,8928 €	250	4,7033 €	350	4,5611 €
Mennyiségi lépcsők	Egységár (EUR)																									
1	16,3800 €																									
2	13,0500 €																									
3	9,0700 €																									
7	7,2200 €																									
17	5,7200 €																									
37	4,9500 €																									
75	4,9100 €																									
125	4,9440 €																									
175	4,8928 €																									
250	4,7033 €																									
350	4,5611 €																									
<p><b>5 Stress cycle frequ. n</b> <input type="text"/> / <input type="text"/></p>	<p><b>11 Surface treatment</b> <input type="checkbox"/> shot peened</p>																									
<p><b>6 Application temp.</b> <input type="text"/> °C</p>																										

Remarks  
 Származási ország: DE | Vámtarifaszám: 73202081