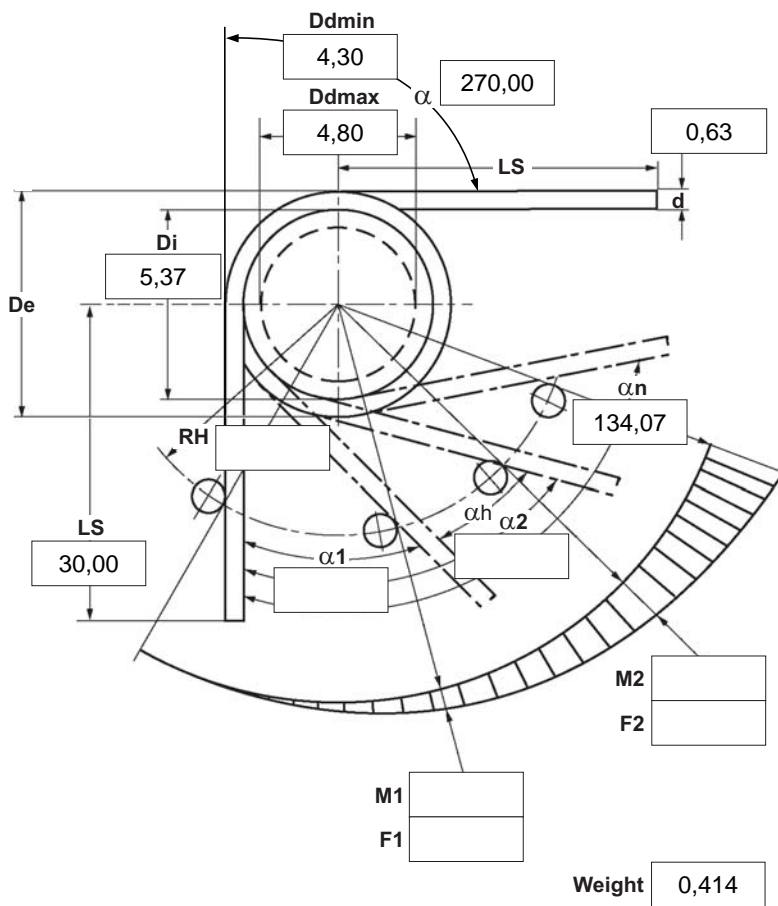
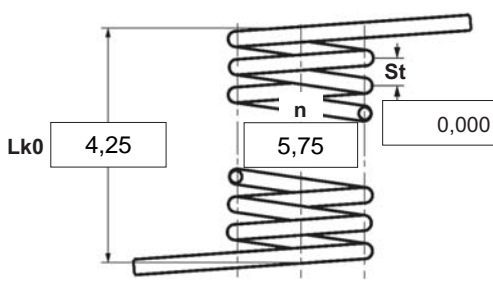


07.2024



α degree Unstressed leg position
 $\alpha 1$ degree Prestressed rotational angle
 $\alpha 2$ degree Loaded rotational angle
 αh degree Excursion
 αn degree Maximum rotational angle
 d mm Wire diameter
 $Ddmin$ mm Min. possible mandrel diameter
 $Ddmax$ mm Max. possible mandrel diameter
 De mm Outer coil diameter
 Di mm Inner coil diameter
 $F1$ N Prestressed spring force
 $F2$ N Loaded spring force
 $Lk0$ mm Length of spring body when relaxed
 LS mm Length of leg
 $M1$ Nmm Prestressed torque
 $M2$ Nmm Loaded torque
 Mn Nmm Maximum torque
 n pc. Active coils
 RH mm Distance power flow point from centre
 St mm Distance between coils (pitch)
 Weight g Weight of one spring in grammes



Spring test acc. to DIN ISO 2859/1 test level II

1 Coiling direction
 left right

2 Form of legs
 tangential, straight, no bends *
 *We can also supply torsion springs with any form of leg for an extra charge.

3 Fixing
 Recumbent leg Lever leg

4 Load
 in winding direction
 against winding direction

5 Excursion αh [] degr.

6 Stress cyc. end. N []

7 Stress cycle frequ. n [] /

8 Application temp. [] °C

9 Material
 EN 10270-3-1.4310

10 Wire or rod surface
 drawn rolled metal-cut

11 Surface treatment []

12 Tolerances to DIN 2194

Grade	Di	Lk0	LSH,LSR	$\alpha, \alpha 1, \alpha 2$	M1, M2	Wire diameter d to DIN 2076
1	<input type="checkbox"/>	<input type="checkbox"/>	<input type="checkbox"/>	<input type="checkbox"/>	<input type="checkbox"/>	
2	<input checked="" type="checkbox"/>	<input checked="" type="checkbox"/>	<input checked="" type="checkbox"/>	<input checked="" type="checkbox"/>	<input checked="" type="checkbox"/>	
3	<input type="checkbox"/>	<input type="checkbox"/>	<input type="checkbox"/>	<input type="checkbox"/>	<input type="checkbox"/>	<input checked="" type="checkbox"/>

13 Production compensation through

A spring torque and the associated swing angle α

A spring torque and the associated swing angle and $\alpha 0$ n, d
 n, Di

Two spring resistances and the associated swing angle α, n, d
 α, n, Di

Prices

Cantidad progresiva	Precio unidad [EUR]
1	5,1100 €
2	3,6000 €
3	3,4300 €
7	2,2200 €
17	1,1200 €
37	0,7400 €
75	0,5500 €
125	0,4570 €
175	0,4069 €
250	0,3567 €
350	0,3095 €
450	0,2652 €

Remarks
País de origen: DE | Número de arancel aduanero: 73202089