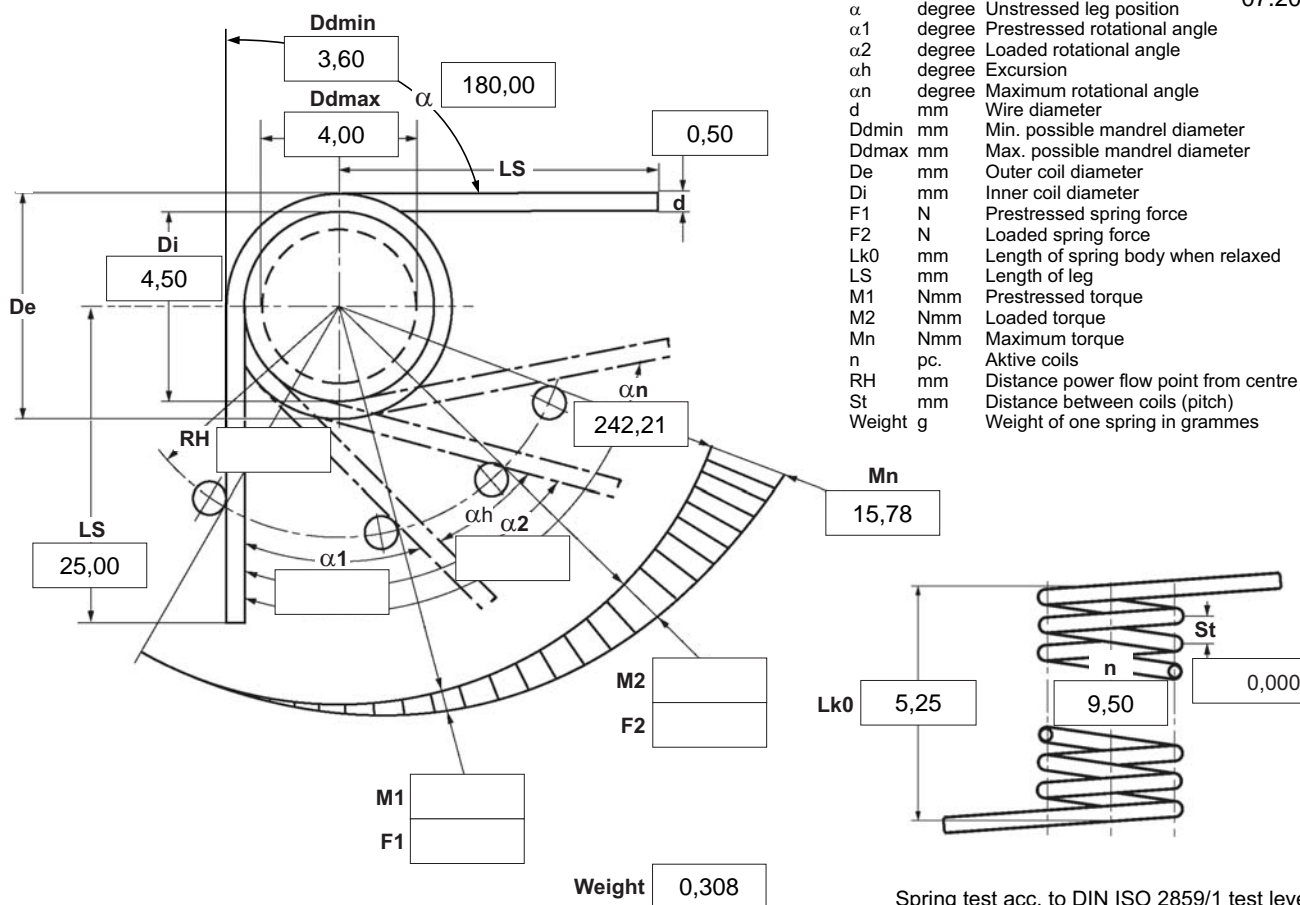
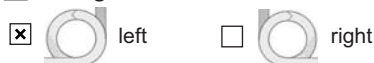


07.2024

**1 Coiling direction****2 Form of legs**

tangential, straight, no bends *



*We can also supply torsion springs with any form of leg for an extra charge.

3 FixingRecumbent leg Lever leg **4 Load** in winding direction
 against winding direction**5 Excursion αh** degr.**6 Stress cyc. end. N** **7 Stress cycle frequ. n** /**8 Application temp.** °C**9 Material**

EN 10270-3-1.4310

10 Wire or rod surface drawn rolled metal-cut**11 Surface treatment****12 Tolerances to DIN 2194**

Grade	Di	Lk0	LSH,LSR	$\alpha, \alpha 1, \alpha 2$	M1, M2	Wire diameter d to DIN 2076
1	<input type="checkbox"/>	<input type="checkbox"/>	<input type="checkbox"/>	<input type="checkbox"/>	<input type="checkbox"/>	<input type="checkbox"/>
2	<input checked="" type="checkbox"/>	<input checked="" type="checkbox"/>	<input checked="" type="checkbox"/>	<input checked="" type="checkbox"/>	<input checked="" type="checkbox"/>	<input type="checkbox"/>
3	<input type="checkbox"/>	<input type="checkbox"/>	<input type="checkbox"/>	<input type="checkbox"/>	<input type="checkbox"/>	<input checked="" type="checkbox"/>

13 Production compensation throughA spring torque and the associated swing angle α A spring torque and the associated swing angle and $\alpha 0$ Two spring resistances and the associated swing angle **Prices**

Stupnice množství	Jedn. cena [EUR]
1	5,1600 €
2	3,6400 €
3	3,4700 €
7	2,4200 €
17	1,1500 €
37	0,8500 €
75	0,6800 €
125	0,4859 €
175	0,4196 €
250	0,3695 €
350	0,3536 €
450	0,3284 €

Remarks

Zem pvodu: DE | íslo celného sazebníku: 73202089